

# Product data sheet

## Characteristics

# 8903LG1000V02

Contactor, Type L, multipole lighting, electrically held, 30A, 10 pole, 600 V, 110/120 VAC 50/60 Hz coil, NEMA 1



Product availability: Stock - Normally stocked in distribution facility

Price\*: 1331.00 USD



### Main

Product or Component Type	Electrically Held Lighting Contactor
Range of Product	8903L
Control circuit	Separate control circuit

### Complementary

[Uc] control circuit voltage	110 V AC 50 Hz 120 V AC 60 Hz
Inrush power in VA	180 VA 60 Hz 170 VA 50 Hz
Hold-in power consumption in VA	35 VA 60 Hz 35 VA 50 Hz
Line Rated Current	20 A tungsten 30 A fluorescent
Poles description	10P 10 NO
Control type	No control units
Local signalling	No indicator
Electrical Connection	Screw-clamp terminals
Maximum Height	12.68 In (322 mm)
Maximum Depth	6.02 In (153 mm)
Maximum Width	7.80 In (198 mm)

### Environment

NEMA degree of protection	NEMA 1 painted sheet steel surface
Product Certifications	UL Listed CSA

## Ordering and shipping details

Category	21321 - 8903 L (NOT LX)
Discount Schedule	CP1
GTIN	00785901851530
Nbr. of units in pkg.	1
Package weight(Lbs)	10.69 Lb(US) (4.85 kg)
Returnability	Yes
Country of origin	MX

## Packing Units

Unit Type of Package 1	PCE
Package 1 Height	7.28 In (18.5 cm)
Package 1 width	8.31 In (21.1 cm)
Package 1 Length	13.70 In (34.8 cm)

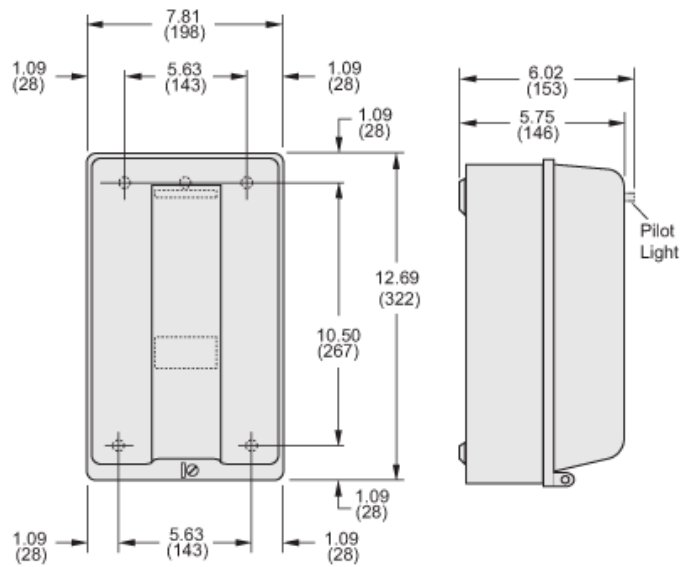
## Offer Sustainability

Sustainable offer status	Green Premium product
REACH Regulation	<a href="#">REACH Declaration</a>
REACH free of SVHC	Yes
EU RoHS Directive	Compliant <a href="#">EU RoHS Declaration</a>
Toxic heavy metal free	Yes
Mercury free	Yes
RoHS exemption information	<a href="#">Yes</a>
China RoHS Regulation	<a href="#">China RoHS Declaration</a>
Environmental Disclosure	<a href="#">Product Environmental Profile</a>
PVC free	Yes
Halogen content performance	Halogen free plastic parts product

## Contractual warranty

Warranty	18 months
----------	-----------

Approximate Dimensions



Product Life Status : Commercialised